

WIND LASS - DAMEN MULTI CAT 2611

GENERAL

YARD NUMBER	571661 (Damen Shipyards Hardinxveld)
DELIVERY DATE	October 2011
CLASSIFICATION	Bureau Veritas I ✶ Hull • MACH Tug Unrestricted navigation, • AUT-UMS
NAT. AUTHORITIES	MCA Workboat Code Category 1
FLAG	United Kingdom

DIMENSIONS

LENGTH O.A.	26.00	m
BEAM O.A.	11.50	m
DEPTH AT SIDES	3.50	m
DRAUGHT	± 2.50	m
DISPLACEMENT	167.44	tonnes

TANK CAPACITIES

FUEL OIL	119.0	m ³
BLACK/GREY WATER	9.2	m ³
FRESH WATER	48.0	m ³
DIRTY OIL	2.0	m ³
HYDR OIL	1.2	m ³
LUB OIL / BILGE WATER EACH	1.8	m ³
BALLAST WATER	60.0	m ³

PERFORMANCES (Trials)

BOLLARD PULL	37.2	tonnes
SPEED	9.8	knots

PROPULSION SYSTEM

MAIN ENGINES	3x Cat C32 TTA
TOTAL POWER	1902 bkW at 1800 rpm
GEARBOXES	3x Reintjes WAF 464 5.591 : 1
PROPULSION	3x fixed pitch propellers in Optima nozzles, 1700 mm
BOWTHRUSTER	Hydraulically driven 200 kW, 360°

AUXILIARY EQUIPMENT

GENERATOR SETS	2x Cat. C 04.4, 107,5 kVA each Cat
HYDRAULIC POWER	C18 TA, 357 kW 1800rpm OTC-2,
FUEL OIL SEPERATOR	1150 ltr/hr

DECK LAY-OUT

ANCHOR	270 kg Pool TW (HHP)
ANCHOR WINCH	Hydraulically driven CAW-H-136
DECK CRANE	1x Heila HLRM 230-3SL 12T @ 15m 1x Heila HLRM 230-3SL 12T @ 15m
ANCHOR HANDLING / TOWING WINCH	AHW-H-1000 double drum in waterfall execution Towing 50T at 10 m/min pulling force (1 st layer) Towing 90T brake holding force (1 st layer) Anchor 100T at 5 m/min pulling force (1 st layer) Anchor 150T brake holding force (1 st layer)
CAPACITY	

TOWING PINS	2x triple pin type
TUGGER WINCH	8T @ 15m/ min
CAPSTAN	5T at 30 m/min

ACCOMMODATION

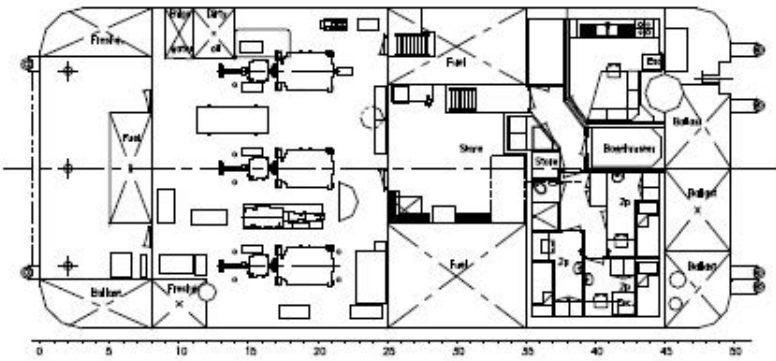
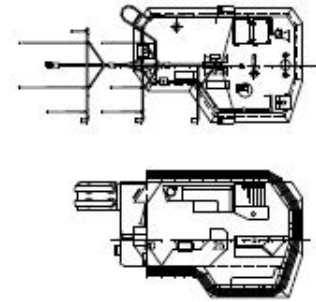
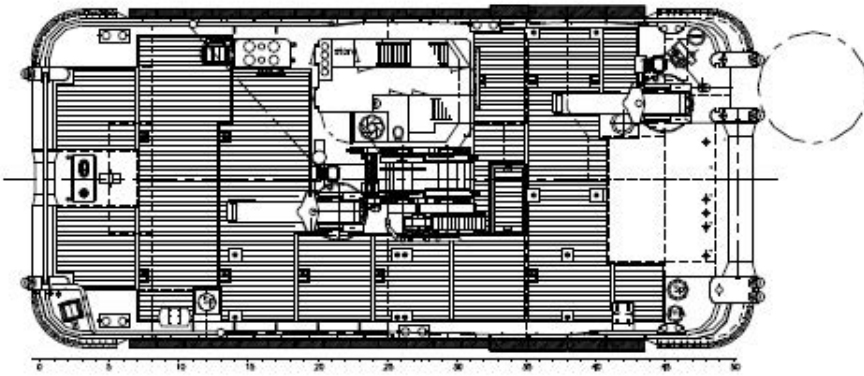
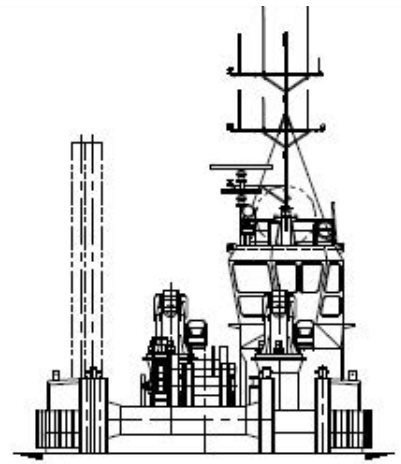
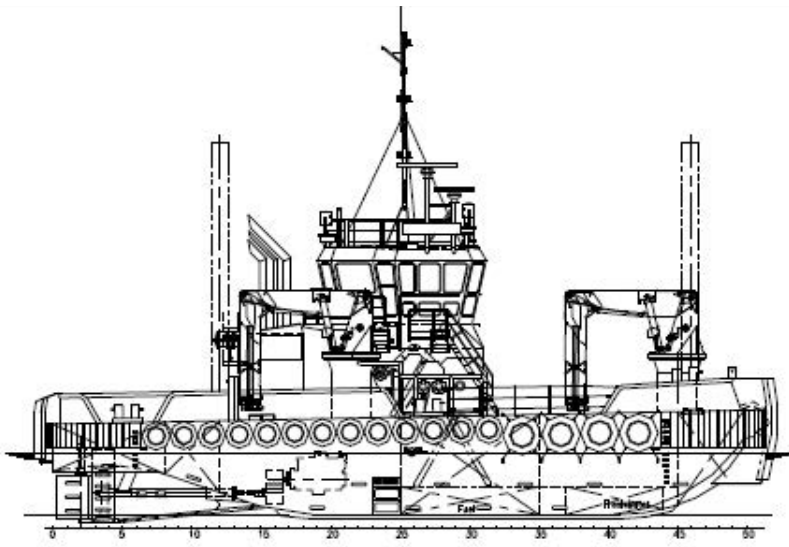
Comfortable heated and air-conditioned accommodation for 6 persons in 3 cabins, galley, sanitary facilities, etc.

Jenkins Marine Ltd.
New Harbour Rd West
Hamworthy
Poole
BH15 4AJ
United Kingdom

+44 (0) 1202 668 558
office@jenkinsmarine.co.uk
www.jenkinsmarine.co.uk



MULTI CAT



Jenkins Marine Ltd.
New Harbour Rd West
Hamworthy
Poole
BH15 4AJ
United Kingdom

+44 (0) 1202 668 558
office@jenkinsmarine.co.uk
www.jenkinsmarine.co.uk

